

Cabinets

RackyRax Pro Range - Server Cabinets

Racky Rax Server Cabinets have been designed to offer the optimum housing for servers and networking hardware. Mesh front and rear doors (rear are wardrobe style) plus a vented roof add up to offer maximum ventilation. The cabinets are fitted with quick release front and rear perforated doors (approximately 60% open), fitted with lockable swing handles. The side panels fully lockable. The large floor aperture gives maximum cable access, plus there is cabling access in the top. All apertures are fitted with blanking plates as standard.

These 800 wide cabinets have additional cable access next to the rack profiles to allow easy routing of cables from the front to the rear of the cabinet. These Server Cabinets are available in various configurations and are supplied fully assembled on a pallet, but all cabinets can be easily dismantled if required. The high quality attractive black finish ensures the cabinet will complement high specification office environments.

Features and Benefits

- Fully removable, lockable steel sides
- Design allows for maximum ventilation
- Lockable doors front and rear
- Adjustable 19" mounting profiles front and rear
- High quality paint finish (Black powder coat)
- 800 kg static load capacity
- Supplied fully assembled
- Wardrobe style rear doors.

Technical Data

Colour	RAL 9005 Black colour
Standards	ISO9001-2015 TS EN 61587-1 :2012, 5.2.1 and 5.2.2 CE According the IEC/ISO 17050 - EN 62208:2011 & EN 60335-1
Material	Sheet Steel, DIN EN 10130-99 / DC-01 6112 / DC-7122
IP Rating	IP20
Load Carrying Capacity	800Kg

Accessories

A full range of cabinet accessories are available including; wall mounting frames, PDUs, fixed shelves, telescopic shelves, castors, cage nuts, baying kits, roof mounting fan units and plinths. See the cabinet accessories page.



Front



Rear

Cabinets

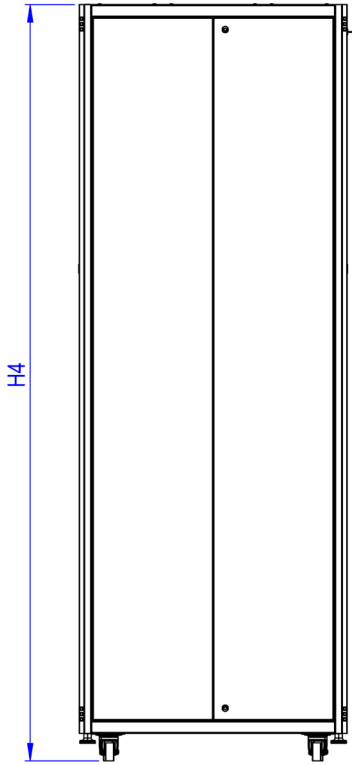
RackyRax Pro Range - Server Cabinets

Part Number 600 x 1000	U Height	W (mm)	D (mm)	H (mm)	Net Weight (kg)	Gross Weight (kg)
RR-F5-12-M-G	12U	600	1000	625	40	51
RR-F5-18-M-G	18U	600	1000	891	56	67
RR-F5-21-M-G	21U	600	1000	1025	63	75
RR-F5-24-M-G	24U	600	1000	1158	70	82
RR-F5-27-M-G	27U	600	1000	1291	76	88
RR-F5-39-M-G	39U	600	1000	1825	100	114
RR-F5-42-M-G	42U	600	1000	1958	107	121
RR-F5-45-M-G	45U	600	1000	2091	115	130
Part Number 800 x 1000	U Height	W (mm)	D (mm)	H (mm)	Net Weight (kg)	Gross Weight (kg)
RR-F6-12-M-G	12U	800	1000	625	47	61
RR-F6-18-M-G	18U	800	1000	891	63	78
RR-F6-21-M-G	21U	800	1000	1025	70	85
RR-F6-24-M-G	24U	800	1000	1158	77	92
RR-F6-27-M-G	27U	800	1000	1291	83	99
RR-F6-39-M-G	39U	800	1000	1825	107	123
RR-F6-42-M-G	42U	800	1000	1958	114	132
RR-F6-45-M-G	45U	800	1000	2091	122	141

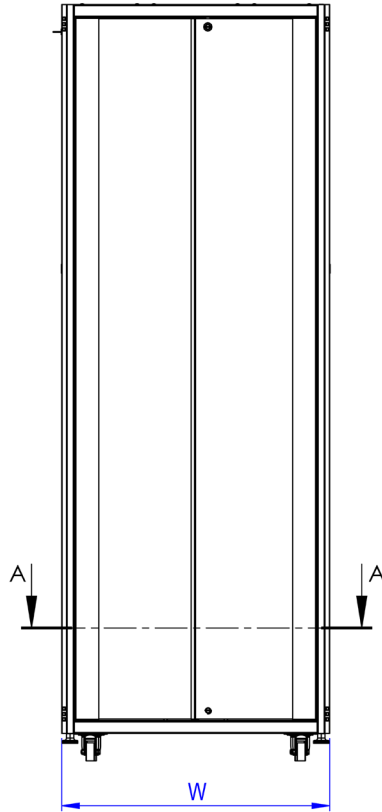
Cabinets

RackyRax Pro Range - Server Cabinets

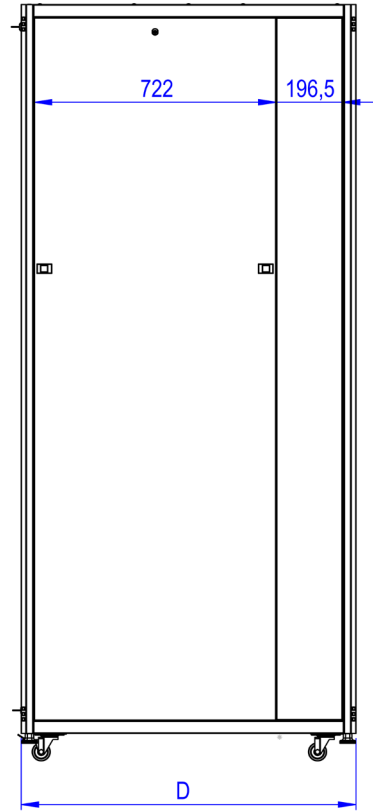
Rear view



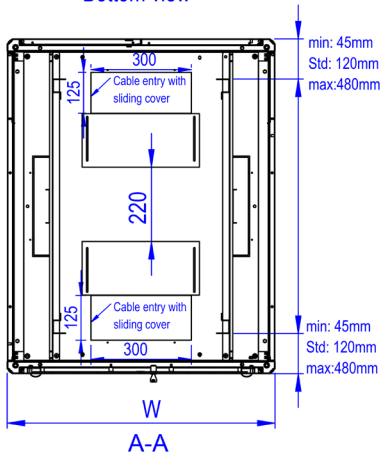
Front view



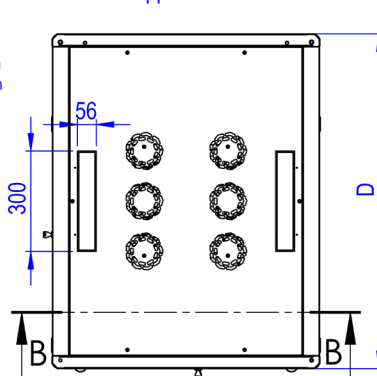
Side view



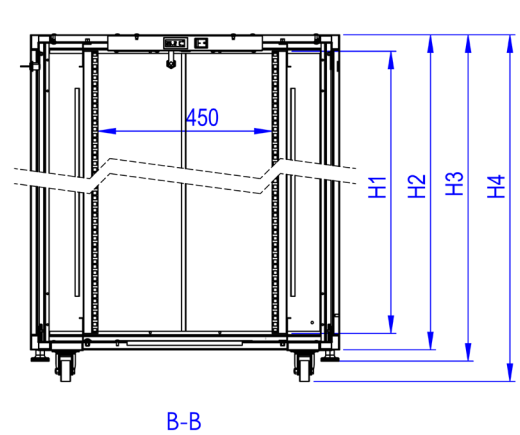
Bottom view



Upper view

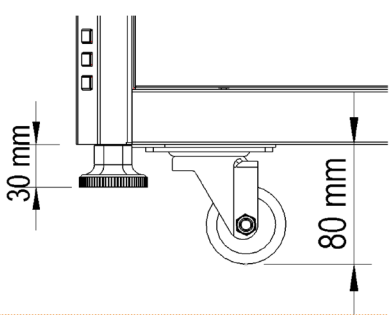
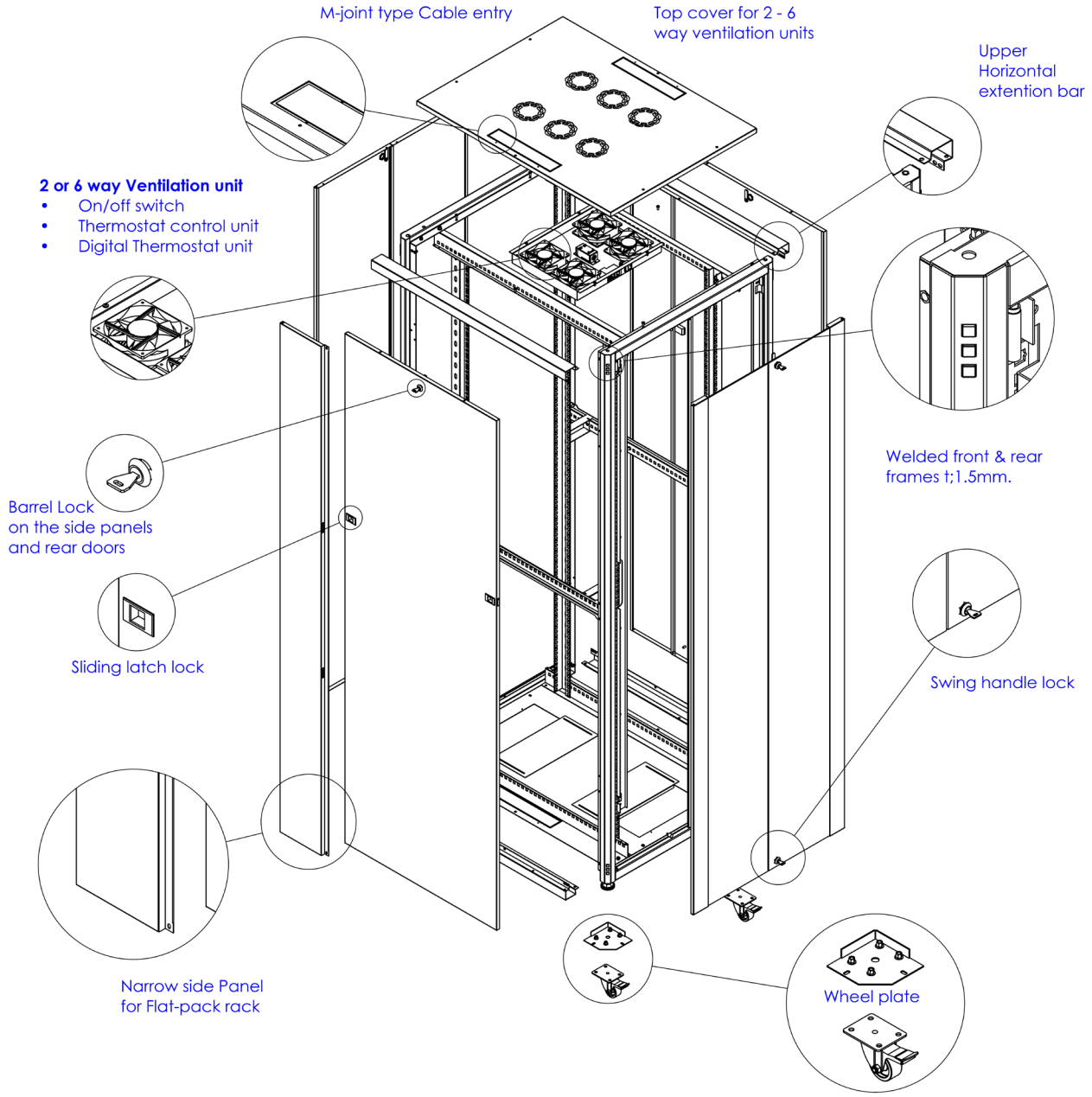


Inner view

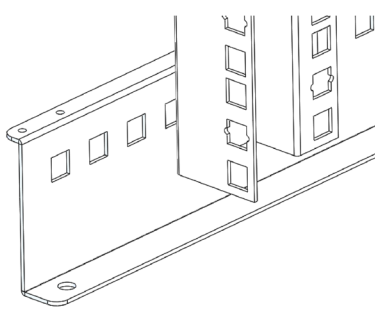


Cabinets

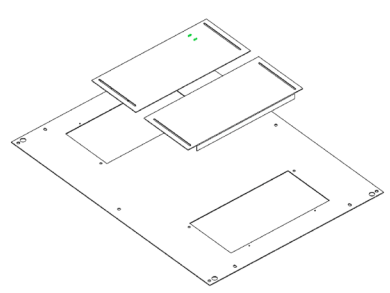
RackyRax Pro Range - Server Cabinets



Wheel and Levelling feet



19" Mounting rail and Z-shape Horizontal bar



Front and rear cable entry panel with sliding cover