

6700
SERIES

6798

6700 Series 7" hands-free video monitor
for the IPure system



The 6798 videophone is a full-duplex hands-free device with 7" touchscreen TFT LCD monitor, a look that conveys elegance and cutting-edge technology and that blends in with any living environment thanks to the minimal footprint for surface installation.

Practicality is combined with design: rapid functions allow easy, intuitive use and the large high-resolution display allows for optimal supervision.

7" TFT LCD monitor

with high resolution and capacitive touch and OSD menu

Full duplex hands-free

4 freely configurable buttons

Service signalling LEDs

- Privacy ON
- Lost call

Intercommunication function through GUI

PoE technology

Allows power supply via UTP cable & PoE switch

Adjustments

Speech volume, call tone volume and brightness

Surface or desktop installation

Impact resistant
ABS plastics
in a satin
white finish



7" TFT LCD



TOUCH SCREEN



HANDS FREE



PoE / RJ45

 **VIDEX**[®]

THE POWER TO SECURE

6700 Series 7" hands-free video monitor for the IPure system

- TFT high-resolution LCD monitor, OSD capacitive touch screen, 4 buttons configurable for functions: door open, intercom call, auto start, camera switching, timed privacy service.
- 12Vdc or PoE power supply.
- 2 inputs / 2 outputs.
- Wall mounted (or via desktop kit), satin white finish.

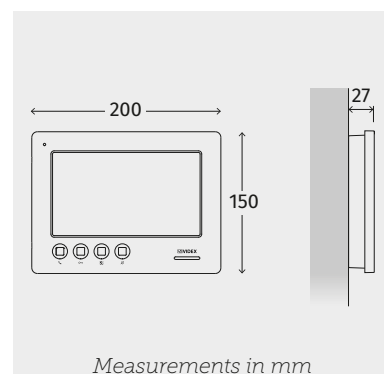


Technical characteristics

Display	7" TFT at 800x480 resolution Capacitive Multi-Touch panel
Handset/Hands free	Hands free
Buttons No.	4
Buttons/Services¹ (all buttons programmable)	Service, Camera recall Door-open/Intercommunicating call, Privacy
Privacy	Yes, timed
Operating system	Linux OS
Video streaming	H.246 and more
Memory board opt.	Yes, standard
Programming features	Service Intercommunicating call Privacy duration Melody Number of rings Door panels phonebook
Interfaces	10/100 Mbps Ethernet Optional WiFi dongle connection
TVCC compatibility	Yes, IP-based
Sensors	High quality integrated temperature sensor (Smart chronothermostat)
RJ-45 plug	Yes
Inputs	2 programmable active low inputs
Outputs	2 programmable dry contacts
Power supply	12Vdc - 650mA or PoE standard IEEE 802.3af Class 0
Mounting	Surface (wall) or via desktop kit
Finishes	Satin white
Desktop kit	Art. 67932

¹ Some buttons are used for multiple functions.

Accessories



Videx Cloudnected client

Videx CloudNected Client is a cross-platform application for smartphones and tablets that allows the user to interface with Videx IP products easily.

Register your account in the app and connect Videx IP devices by simply acquiring the device's QR code.

You can receive incoming calls from your door panel wherever you are, without needing to keep the application open.

Call the connected devices and operate gates and doors even when you are away from home.

Note: this application does not replace the use of traditional monitors; the application performances are subject to the energy saving mode of the smartphone and to connectivity.



VIDEX SECURITY LTD.

Main UK Office

1 Osprey, Trinity Park, Trinity Way,
London, E4 8TD
tel: 0370 300 1240

www.videxuk.com

Northern UK Office

Unit 4-7 Chillingham Ind. Estate, Chapman Street,
Newcastle Upon Tyne, NE6 2XX
tel: 0370 300 1240

sales@videxuk.com

