

# External sounder



A range of external sounders, in three colours, with options for radio, wired and decoy. The decoy sounder includes working LEDs identical to the genuine wireless sounder to act as a deterrent.

Designed for use with i-on control panels new and legacy 868MHz systems. Wired variants also compatible with third-party control units

**Engineer-friendly:** a self-supporting lid, built-in spirit-level and revolving fixing holes for ease of installation including on uneven surfaces

**High-power comfort LEDs and LED strobes:** provides reassurance for the user

**Common enclosure for entire range:** impact-resistant polycarbonate construction in a choice of 3 colours: blue, amber and red

## At a glance...

- Wired sounder selectable between Self Contained Bell (SCB) or Self Actuated Bell (SAB) modes:
  - In SCB mode the sounder, in alarm condition, draws its power from its integral internal battery
  - In SAB mode the sounder is driven from the control panel
- Low-volume maintenance mode
  - Self-supporting lid
  - Built-in spirit level
- Sound output 100 dB at 1 meter
- Low current consumption (35mA and 225mA in-alarm current)
- Front and rear tamper (except SDR-DEXT)
- Lid and rear tamper detection
- Selectable cut-off timer
- Choice of siren tones
- Compliance: EN50131-4 Grade: Grade 2 (SDR-WEXT-G2 and SDR-REXT-G2), or Grade 3 (SDR-WEXT-G3), PD6662:2017

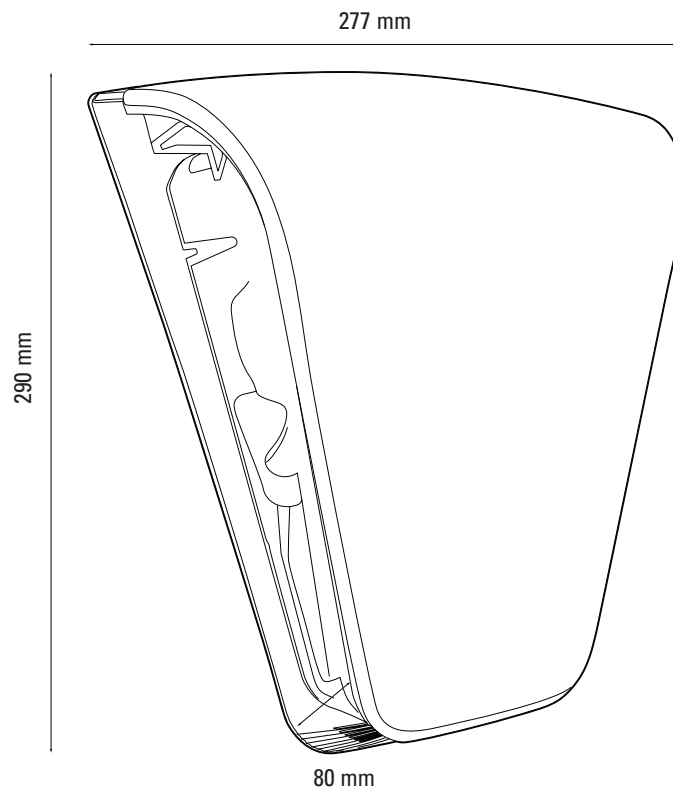


Powering Business Worldwide

# Scantronic product data sheet

## Product specification

Product code	SDR-REXT-G2	SDR-WEXT-G2	SDR-WEXT-G3	SDR-DEXT
Sound Output	100 dB(A) at 1m			n/a
Weight	1.4kg		1.2kg	1.1kg
Current consumption	n/a	35mA quiescent current including battery charge and comfort LEDs. 225mA in-alarm current (in SAB mode)	35mA quiescent current including battery charge and comfort LEDs. 225mA in-alarm current (in SAB mode)	n/a
Operating temperature	-25°C to +60°C			
Max Relative Humidity	95%			
Supply voltage	n/a		9V to 16VDC	n/a
IP rating	IP65			n/a
Cut off timer	Selectable: 5 secs, 3 mins, 15 mins			n/a
Wireless frequency	868.6625 MHz	n/a	n/a	n/a
Battery packs	2 x 3V Alkaline	1 x 7.2 Lithium	1 x 7.2 Lithium	1 x 7.2 Lithium
Dimensions	290mm (h) x 277mm (w) x 80mm (d)			



Compare product compatibility with our easy to read chart: [www.eaton.com/security-works-with](http://www.eaton.com/security-works-with)

**Eaton**  
Electrical Sector  
EMEA Route de la Longeraie 7  
1110 Morges, Switzerland

**Eaton Electrical Products Ltd**  
Security House,  
Vantage Point Business Village,  
Mitcheldean, Gloucestershire  
GL17 0SX

© 2024 Eaton  
All Rights Reserved  
April 2024

Tel: +44 (0)1594 545 400  
Email: [securitysales@eaton.com](mailto:securitysales@eaton.com)  
Web: [www.myscantronic.com](http://www.myscantronic.com)

Eaton is a registered trademark of Eaton Corporation.

All other trademarks are property of their respective owners.