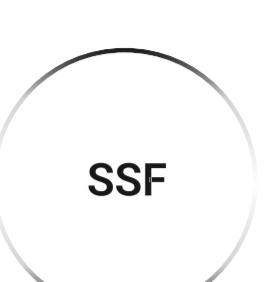


Superior product line

CombiProtect S Jeweller

Wireless motion and glass break detector.



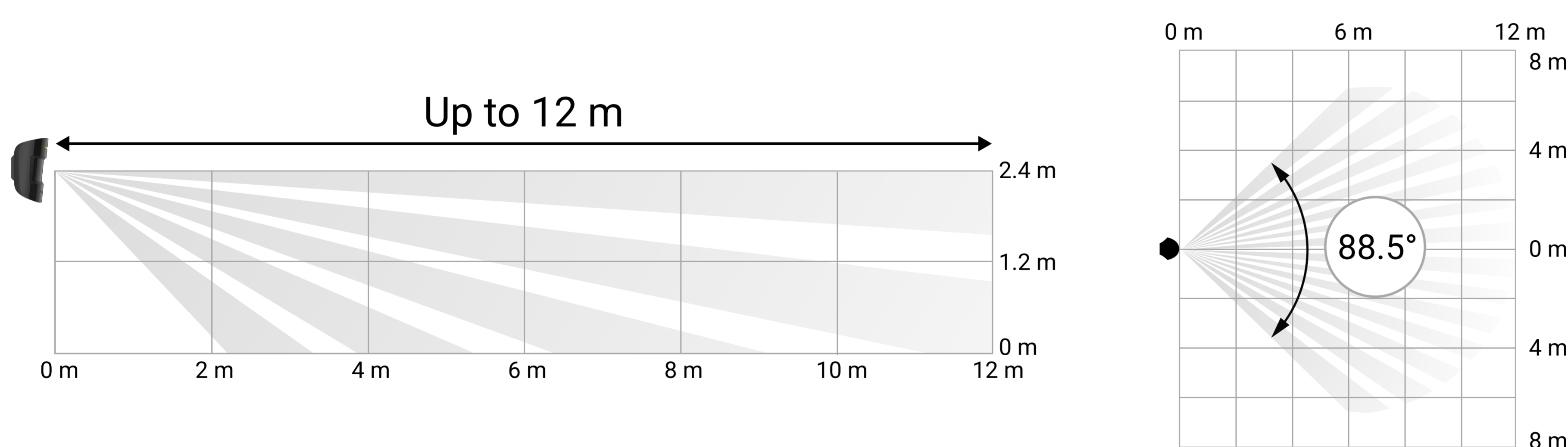
What's new

Baseline CombiProtect Jeweller	Superior CombiProtect S Jeweller
SmartBracket mounting panel without holding screw	SmartBracket mounting panel with holding screw
Common battery	Enhanced battery
Glossy enclosure	Matte enclosure
Available for all PROs	Available only for accredited partners

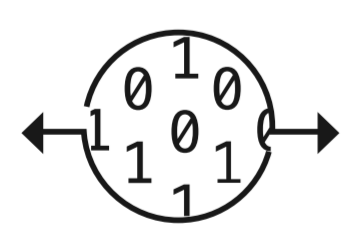
This is the device of the **Superior product line**. Superior products are advanced versions of Jeweller devices. This product line is developed for projects. Only accredited Ajax Systems partners can sell, install, and administer Superior products.



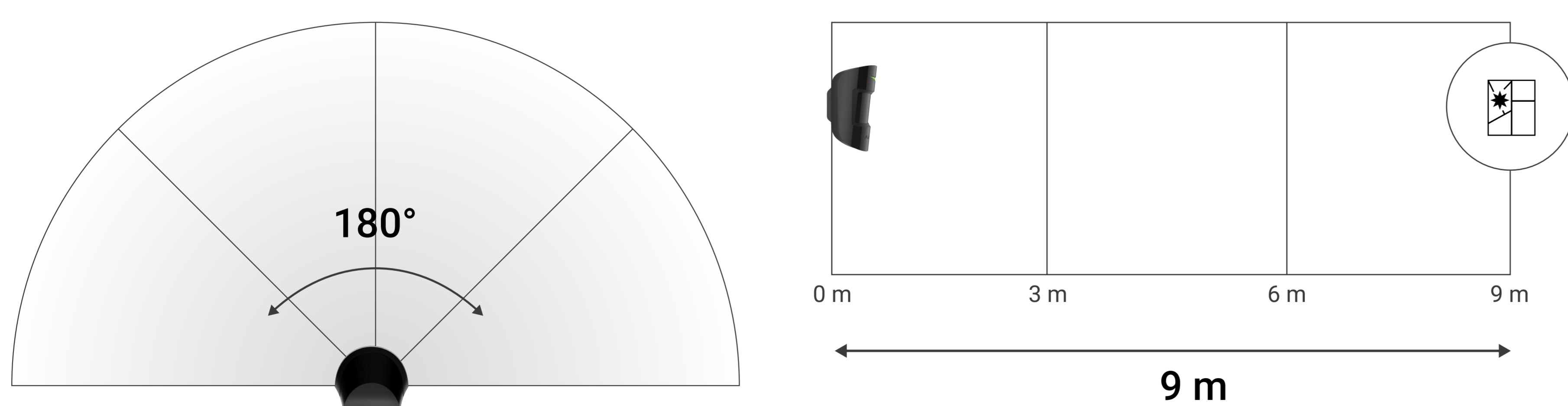
Motion detection



- SmartDetect algorithm to prevent false alarms
- Temperature compensation
- Pet immunity



Glass break detection



- DualTone two-factor glass break verification algorithm: by low and high frequencies
- Filter for false alarms caused by dog barking or truck-passing sounds



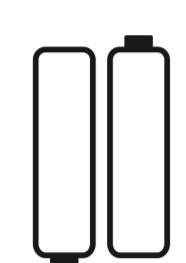
Jeweller communication technology

- Up to 1,200 m of radio communication in an open space
- Data is encrypted throughout the transmission process
- Regular polling to display current device statuses



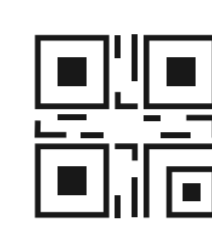
Sabotage resistance

- Tamper alarm
- Device authentication to prevent spoofing
- Jamming detection
- Holding screw to secure the device on SmartBracket



Flawless autonomy

- Up to 5 years of battery life
- Low battery notifications
- Panasonic pre-installed battery



Quick installation and setup

- Pairing with a hub via QR code
- Remote control and configuration in the app
- Effortless installation and replacement

Superior, Fibra, and Baseline product lines are mutually compatible. This opens up numerous possibilities for building systems of any configuration.

<p>Compliance with standards</p> <p>EN 50131-2-2 (Grade 2) EN 50131-2-7-1 PD 6662:2017 SSF</p> <p>Compatibility</p> <p>Hubs Hub Plus, Hub 2 (2G), Hub 2 (4G), Hub 2 Plus, Hub Hybrid (2G), Hub Hybrid (4G)</p> <p>Range extenders ReX, ReX 2</p>	<p>Communication with control panel</p> <p>Jeweller communication technology</p> <p>Frequency bands 868,0 – 868,6 MHz</p> <p>Communication range up to 1,200 m In an open space</p>	<p>Motion detection</p> <p>Sensitive element 1 × PIR sensor</p> <p>Detection distance up to 12 m</p> <p>Motion detection angle horizontal – 88.5°</p> <p>Pet immunity weight: up to 20 kg height: up to 50 cm</p>	<p>Glass break detection</p> <p>Sensitive elements 1 × electret microphone</p> <p>Glass break detection distance up to 9 m</p> <p>Horizontal glass break detection angle 180°</p>
<p>Power supply</p> <p>Battery 1 × CR123A</p> <p>Battery life up to 5 years</p>	<p>Installation</p> <p>Operating temperature range from –10°C to +40°C</p> <p>Operating humidity up to 75%</p> <p>Protection class IP50</p>	<p>Enclosure</p> <p>Colour white, black</p> <p>Dimensions 110 × 65 × 50 mm</p> <p>Weight 92 g</p>	<p>Complete set</p> <p>CombiProtect S Jeweller 1 × CR123A battery (pre-installed) SmartBracket with holding screw Installation kit Quick start guide</p>



For detailed information, scan the QR code or follow the link:
ajax.systems/support/devices/combiprotect-s/

- ✉ support@ajax.systems
- 📍 @AjaxSystemsSupport_Bot
- 🌐 ajax.systems