

PURETECH Lighting

Emergency Surface Downlight (Self Test)

CODE: PTSURSPOT-1W-OL/ST



Non
Maintained
Emergency

IP54 Rated
Housing

Discharge
Protection

Surface
Mounted

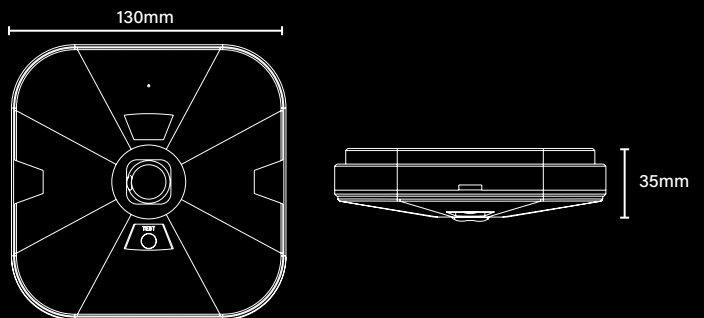
Key Information

Power	Efficacy	Output	Lens Type	Emergency Duration
1W	130Lm/cW	130Lm	Open Lens	3 Hours

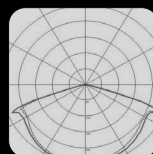
Additional Information

Input Voltage	AC 220-240V
Emergency Type	Non-Maintained
Testing Type	Self Test
IP Rating	IP54
Mains Input Current	26mA
Battery Type	3.2V Lithium Iron Phosphate (LiFePO4; 1500mAh)
Charge Time	24 Hours
Colour Temperature	6500K
Protection	Discharge
Operating Temp.	0°C to +40°C
Net Weight	0.209kg

Dimensions



Photometric Data



Emergency Surface Downlight (Self Test)

CODE: PTSURSPOT-1W-OL/ST



Definitions

Operation	
Open Lens	This lens supplies light to a wider space. Corridor is typically recommended for narrower spaces in order to avoid light wastage.
Operation	
Non-Maintained	The light is off during normal operation, but is primed to switch on as soon an emergency situation takes place. This option is typically preferred for power saving.
Required Tests	
Function Test	A test to check that the emergency light operates as expected when the main power grid is disabled. Checking that emergency fittings are operational is crucial to ensure safe evacuation and navigation during emergency situations.
Duration Test	A test to check that the emergency light is able to stay operational in emergency mode for no less than 3 hours. This is a requirement for any emergency lighting fittings.
Testing Type	
Self Test	The fitting will test itself automatically with a LED indicator to represent status. The LED is green and steady when operating as normal. Any flickering or change of colour indicates an ongoing issue - <i>please refer to the product manual for a detailed breakdown.</i>

Application

Ceiling Mounted

Ideal placed in a wider room such as an communal or office space

